

Refraction unit Candy



CE

Med
Instrus

CANDY

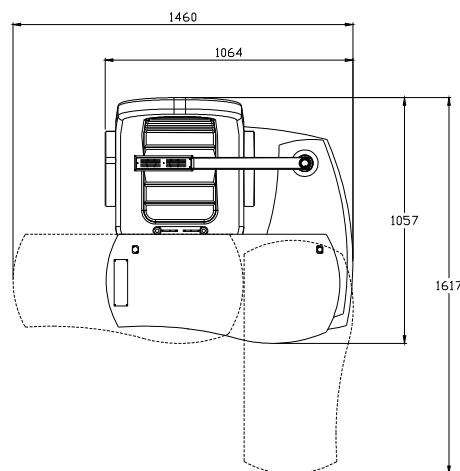


Refraction unit CANDY

- Sliding table top for two instruments
- Vertical movement of the chair is adjustable from the integrated touch panel on the table top and/or from the foot – switch (optional).
- Column with overhead LED lamp with adjustable illumination.
- Column with support for chart projector.
- Integrated adjustable power transformers for slit lamp/ophthalmometer.
- Chin rest support plate.

Optional

- Phoropter arm
- Foot rest (either fixed or tip-up)
- Arm rests (either fixed or tip-up)
- Chair with reclining back
- Head rest for the chair
- Chair sliding (13 cm) forward – backwards assembly
- Motorized chair sliding assembly (14cm)
- Foot switch control for up/down movement of the chair
- Installed data cables (Fire Wire, USB, RS232, etc.)



Technical information

Voltage ~230V 50/60Hz

Total weight 150kg

Max height 192cm

Table height from the ground 88cm

Chair height from the ground 52cm to 67cm (15cm lift)

Chair rotation 360°

Overhead LED lamp 2x12V 5W

Instruments power supply ~230V, ~12Vadj., ~6Vadj.

Med
instrus

UAB „Medinstrus“
Kruciu k.
Mažeikių r. LT-89327
Lietuva (Lithuania).
Tel: +370 443 25451
Fax: + 370 443 25455
E-mail: info@medinstrus.lt
Web: www.medinstrus.lt

